



Gas Kebab Machine

Model No.

SWVB-4-LP


SWVB-4-LP

➤ Features:

- Stainless steel structure
- Individually controlled infrared burners
- Power up to 8,000 BTU per burner for LP gas
- Stainless steel heat shield on both sides
- Distance can be adjusted between cooking spit and burners
- Continuous pilot for instant ignition of main burner
- Stainless steel oil collector
- Designed for high performance and consistent results
- Heavy duty motors
- 3/4" NPT rear gas connection

➤ Warranty Info:

One Year

- Parts & Labor on entire unit.
- Valid in United States.
- Valid for commercial use only.

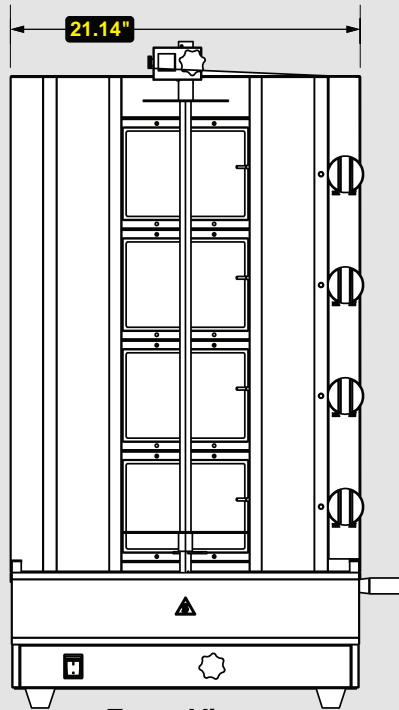


Conforms to UL Standard 471 and NSF Standard 7
 Certified to CSA Standard C22.2 No. 120

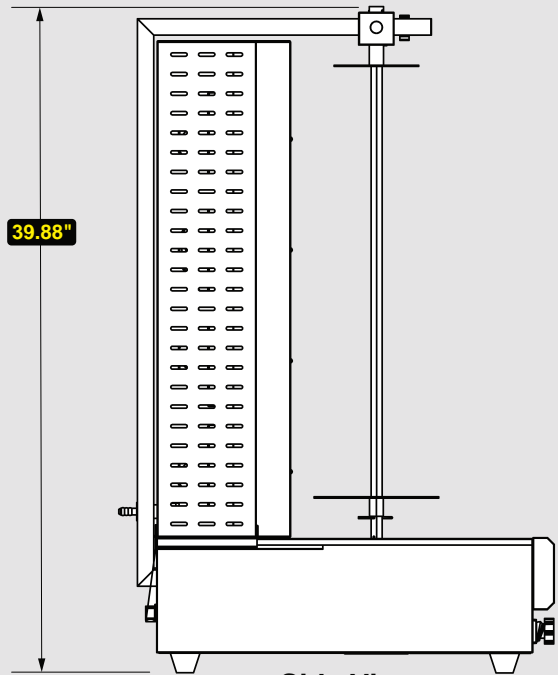
 Revised **01/01/2026**
SWVB-4-LP

 Phone:(800).768.5953
 Fax:(800).976.1299

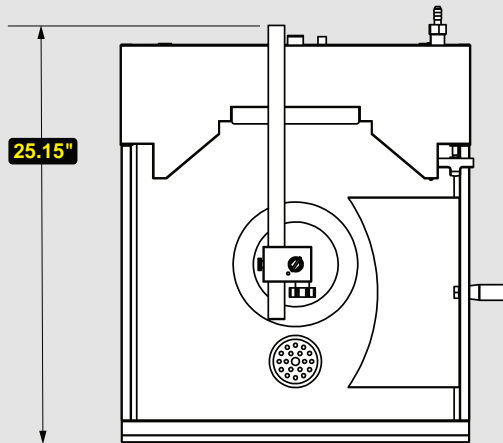
 www.servware.com
 Copyright © 2026 Serv-Ware Products LLC.



Front View



Side View



Top View

➔ Technical Information:

MODEL #	DESCRIPTION	DIMENSIONS	WEIGHT/LBS.
		(W x D x H)	(Shipping)
SWVB-4-LP	Gas Kebab Machine-4 Burner	21.14" W x 25.15" D x 39.88" H	100 lbs.

COOKING	
Spit Height	28"
Meat Capacity	100 lbs.
Total BTU/HR	32,000
Gas Line	¾
W.C. for LP Gas	4 in.

CONSTRUCTION	
Stainless steel	

ELECTRICAL	
Voltage	120
RPM	4



NEMA 5-15P