



Item #

Project :

Qty :

# 24" Gas Griddle With Oven

Model No.

**SWGO-24-LP**



**SWGO-24-LP**

## ➤ Features:

- Stainless steel burner, each 21,000 BTU/hr
- Thermostat (250°F- 550°F ) controlled oven
- Thermal coupling safety valve for the oven
- Flame failure control valve
- Welded frame structure for best stability
- Stainless steel front, galvanized sides
- Stainless steel oven door with insulation
- Stainless steel handle for bottom oven
- Adjustable heavy duty legs
- Large capacity grease/oil collector
- Kick plate at the bottom for easy access for servicing
- 3/4" NPT rear gas connection
- Made for LP

## ➤ Warranty Info:

### One Year

- Parts & Labor on entire unit.
- Valid in United States.
- Valid for commercial use only.



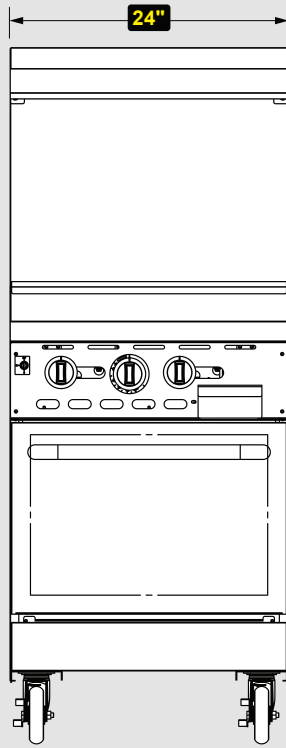
*Conforms to UL Standard 471 and NSF Standard 7  
Certified to CSA Standard C22.2 No. 120*

Revised **01/01/2026**

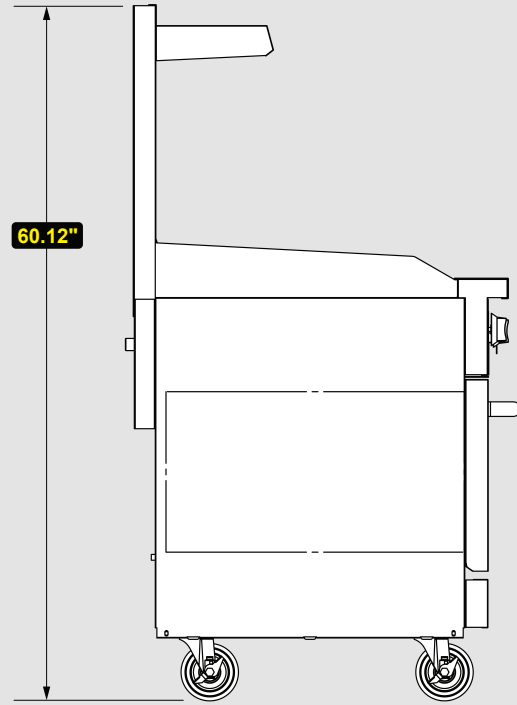
**SWGO-24-LP**

Phone:(800).768.5953  
Fax:(800).976.1299

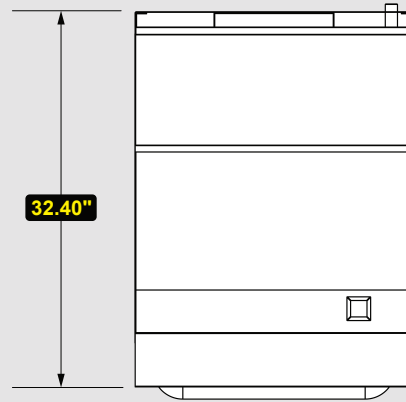
**www.servware.com**  
Copyright © 2026 Serv-Ware Products LLC.



**Front View**



**Side View**



**Back View**

➔ **Technical Information:**

MODEL #	DESCRIPTION	( W x D x H )	(Shipping)
SWGO-24-LP	24" Gas Griddle With Oven	24" W x 32.40" D x 60.12" H	357 lbs.

CONSTRUCTION
Stainless steel front, back riser, high shelf, oven handle and bullnose. High temperature burner knobs with set screw. Nickel plated bullet feet. Porcelain door liner and oven bottom.

COOKING	
<b>Temperature Range</b>	250°F – 550°F
<b>Total BTU/HR</b>	72,000
<b>Gas Line</b>	3/4"
<b>W.C. for LP</b>	10 in.