

48" Ice Bin

Model No.

SWB48-705



SWB48-705

➤ Features:

- Holds up to 705 lb of storage
- Commercial-grade ice storage bin for modular ice machines
- Insulated cabinet helps slow ice melt during peak use
- Heavy-duty exterior built for foodservice environments
- Smooth interior promotes easy cleaning and sanitation
- Sloped bin bottom directs meltwater to drain outlet
- Front-opening bin door allows quick, ergonomic ice access

➤ Warranty Info:

Three Year

- Parts & Labor on entire unit.
- Valid in United States.
- Valid for commercial use only.



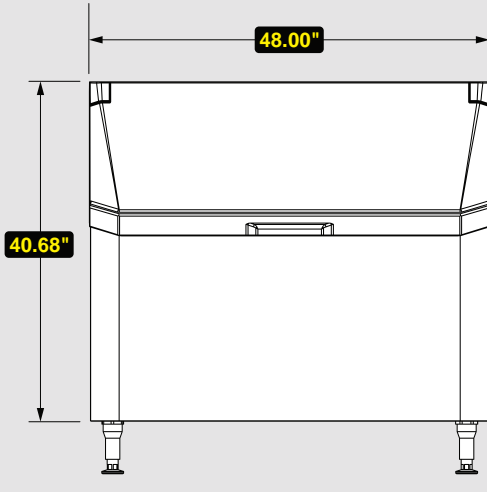
*Conforms to UL Standard 471 and NSF Standard 7
Certified to CSA Standard C22.2 No. 120*

Revised **01/01/2026**

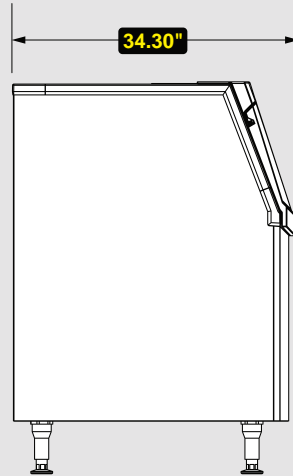
SWB48-705

Phone:(800).768.5953
Fax:(800).976.1299

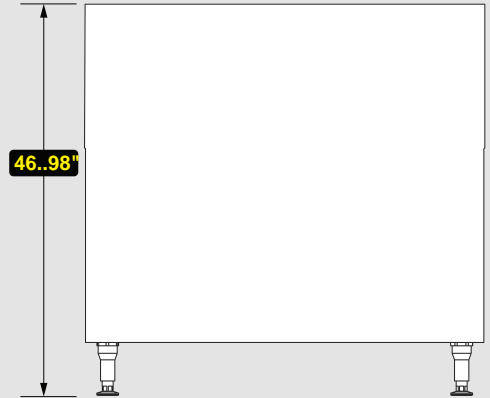
www.servware.com
Copyright © 2026 Serv-Ware Products LLC.



Front View



Side View



Back View



NEMA 5-15P

➔ Technical Information:

| MODEL # | DESCRIPTION | DIMENSIONS | WEIGHT/LBS. |
|-----------|--------------------|-----------------------------|-------------|
| | | (W x D x H) | (Shipping) |
| SWB48-705 | 705 lb 48" Ice Bin | 48" W x 34.30" D x 46.98" H | ?? lbs. |

| ICE STORAGE | |
|--------------|---------------|
| Bin Capacity | 705 lb. |
| Door Type | Upward Hinged |
| | |
| | |

| CONSTRUCTION | |
|---------------------|-------------------------------|
| Exterior Material | Stainless Steel |
| Interior Material | Food-Grade Polyethylene |
| Insulation Material | Rigid Polyurethane Foam |
| Structure Build | Reinforced Heavy Duty Cabinet |
| | |