

# Wide Head Ice Machine

Model No.

**SWM22-550CN**

**CHEWY NUGGET**



**SWM22-550CN**

## ➤ Features:

- Produces up to 550 lb of cube ice per 24 hours
- Storage bin sold separately
- Design ideal for bars, restaurants, and cafes
- Air-cooled refrigeration system for efficient performance and easier installation
- Uses R290 eco-friendly refrigerant
- Stainless steel exterior cabinet for durability and easy cleaning
- Integrated electronic controls with status indicators
- Smart LED lighting with remote included
- Automatic ice-making cycle with bin-full shutoff
- Adjustable front leveling legs for quick setup on uneven floors
- Service-friendly layout for easier access to condenser and components



## ➤ Warranty Info:

### Three Year

- Parts & Labor on entire unit.
- Valid in United States.
- Valid for commercial use only.

### Five Year

- Compressor & Evaporator, Part Only.



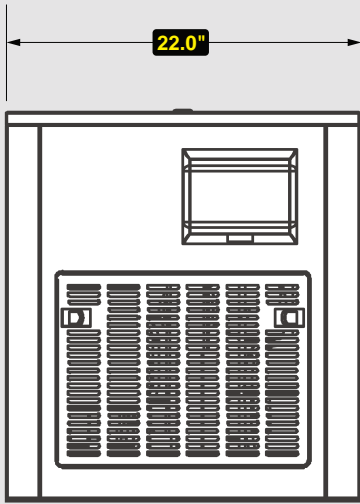
Conforms to UL Standard 471 and NSF Standard 7  
 Certified to CSA Standard C22.2 No. 120

Revised 01/01/2026

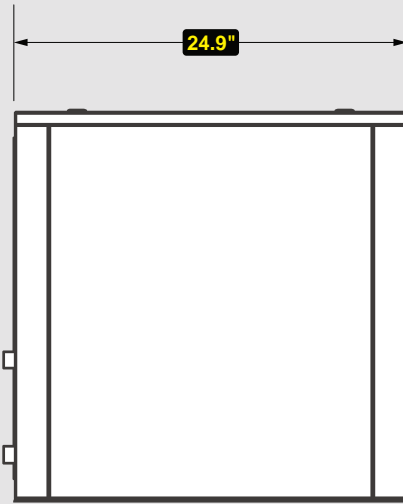
**SWM22-550CN**

Phone: (800).768.5953  
 Fax: (800).976.1299

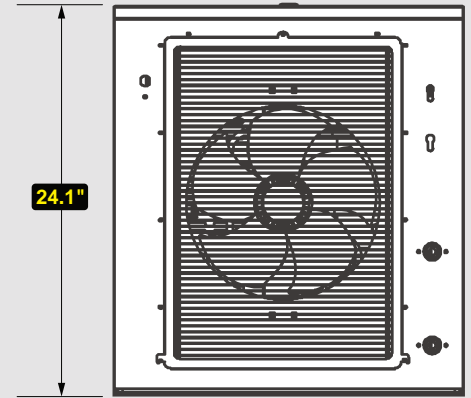
**www.servware.com**  
 Copyright © 2026 Serv-Ware Products LLC.



Front View



Side View



Back View



NEMA 5-15P

➔ Technical Information:

MODEL #	DESCRIPTION	DIMENSIONS ( W x D x H )	WEIGHT/LBS. (Shipping)
SWM22-550CN	550 lb Wide Head - Chewy Nugget	22.00" W x 24.9" D x 24.1" H	196 lbs.

COOLING		ICE PRODUCTION	
Temperature Range	14°F – 68°F	Output (lb/24hr)	550 lb.
Refrigerant	R290		
BTU/H	1,200 - 1,500		
Defrosting	Automatic Operation		
HP	1/4		

CONSTRUCTION	
Exterior Material	Stainless Steel
Interior Material	Stainless Steel
Structure Build	Reinforced Heavy Duty Cabinet

ELECTRICAL	
Voltage	110
Watts	1180
Hz	60
Phase	1



Prop. 65 Warning for California Residents  
 WARNING: This product may contain chemicals known to the State of California to cause cancer, birth defects, or other reproductive harm.



Phone:(800).768.5953  
 Fax:(800).976.1299