



# UNDERCOUNTER FREEZER

MODEL DUC29F  
Single Door



## TECHNICAL SPECIFICATIONS

Voltage/Frequency	115V/60Hz
Refrigerant	R290
Type of Defrost	Automatic
Interior Material	Stainless Steel
Exterior Material	Stainless Steel
Temperature Range °F	0 ~ -8°F
Compressor Power (HP)	1/3
Nema Config.	NEMA5-15P



## PRODUCT FEATURES

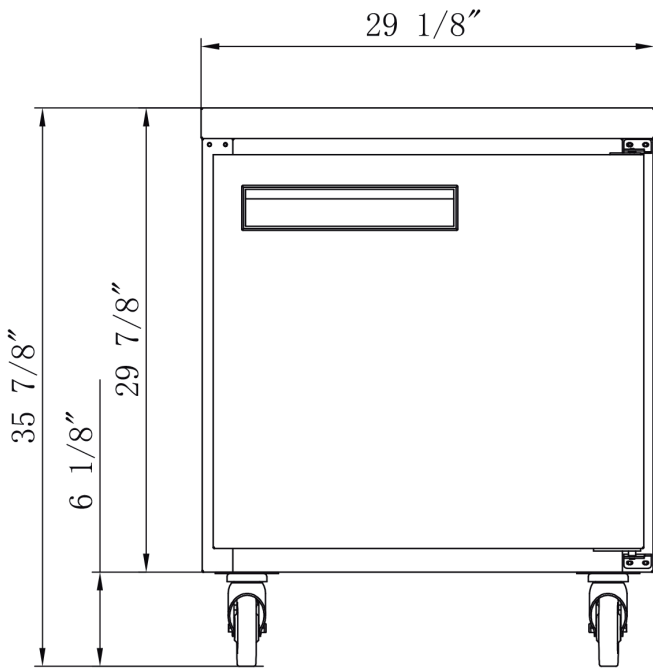
- The compressor is mounted in the back and placed in the coolest possible area; this makes it easily accessible for servicing.
- Digital temperature controls with LED display for precise adjustment and automatic defrosting system.
- Temperatures in the cabinet range from 0 to -8 degrees Fahrenheit.
- Higher Resistance to dust, high quality condenser.
- R290 Natural Refrigerant promotes faster cool down and efficient energy consumption.
- Self-closing doors at 60° with stay open feature.
- Stainless steel interior & exterior, sealed interior floors, and rounded cabinet corners for easy cleaning.
- High quality coated stainless adjustable shelves prevent peel and rust.
- Lifetime warranty on hinges.
- 6" casters with lock for easy mobility.



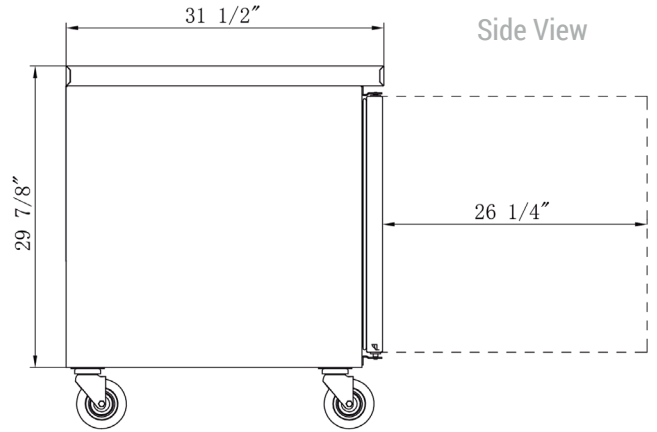
## HIGH QUALITY STAINLESS STEEL & ROBUST DESIGN

# DETAILS & SPECIFICATIONS

## UNDERCOUNTER DUC29F



Front View



Side View

### MODEL DUC29F

Rated Voltage	115V
Rated Frequency	60Hz
Total Input Power	550W
Total Current	2.3A
Total Capacity	6.99 cu ft
Climatic Category	4-5
Protection Type	I
Design Pressure High Side	300 PSIG
Design Pressure Low Side	150 PSIG
Insulation Blowing Gas	C-Pentane
Refrigerant	R290/3.17oz

MODEL	EXTERNAL DIMENSION WXDXH (INCHES)	PACKAGING DIMENSION WXDXH (INCHES)	PRODUCT NET WEIGHT	# OF SHELVES	40HQ CONTAINER CERT.
DUC29F	29 1/8 x 31 1/2 x 36	30 1/2 x 33 1/8 x 39 3/8	158 lbs	1	60

