



DUKERS
Quality Commercial Refrigeration

Item # _____

Qty # _____

Model # _____

Project # _____

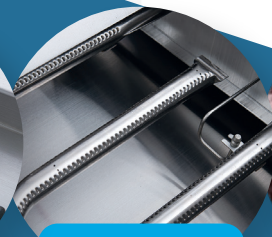


CHARBROILER

DCRB48



Cast Iron Waste and Oil Drain



Radiant Burner



Volcanic Stone



Cast Iron Waste and Oil Drain

Charboiler Knobs



PRODUCT DESCRIPTION

- Stainless steel exterior and interior.
- Double wall sides with stainless steel cabinet.
- 35,000 BTU Burners per 12" section with standby pilots.
- Independent manual controls every 12".
- "Cool-to-the-touch" front s/s edge.
- Each Char Broiler shipped standard Natural gas, LP conversion kit included.
- Adjustable stainless steel legs, non-skid feet.
- Easy to remove full width crumb tray.



HIGH QUALITY STAINLESS STEEL & ROBUST DESIGN

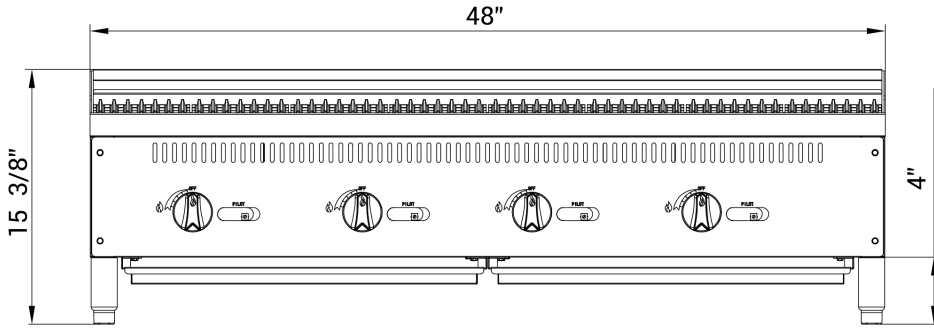
* All measures are presented in Inches

CHARBROILER MODEL	DIMENSION		
	Width	Depth	Height
DCRB48	48 in	28 3/4 in	15 3/8 in

DETAILS & SPECIFICATIONS

CHARBROILER DCRB48

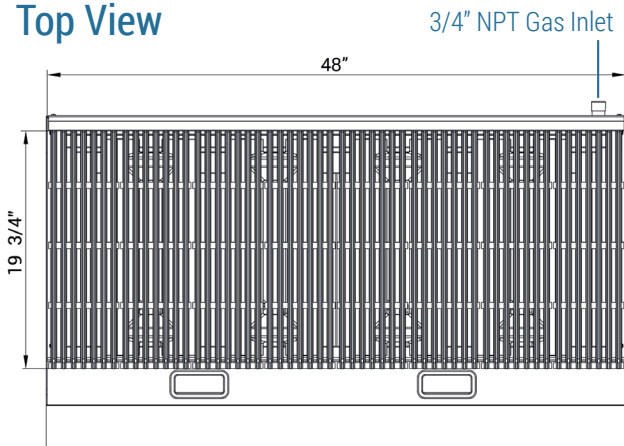
Front View



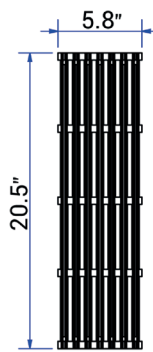
DCRB48

GAS SOURCE	NG/Propane
WORK AREA	47.83x20.47in
BURNER	4 count
SINGLE BURNER	35000 BTU/H
COMBINED	140000 BTU/H
GAS PRESSURE	NG: 4 "WC Propane: 10 "WC
NOZZEL	NG: 34# Propane: 49#
CONTAINER FITMENT	115

Top View

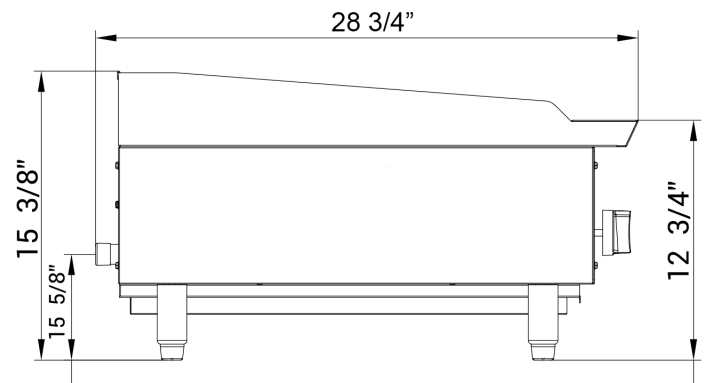


Racks



Equipped with 8 racks

Side View



Model	Packaging Dimensions (inches)			Net Weight (lbs)	Ship Weight (lbs)
	W	D	H		
DCRB48	50 1/4"	32 5/8"	20 1/2"	280.6	340.6

