

Item # _____

Qty # _____

Model # _____

Project # _____



DUKERS
Quality Commercial Refrigeration



CHARBROILER

DCRB36



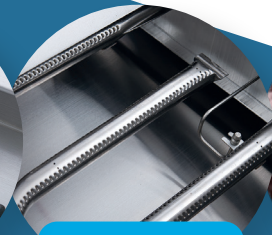
Cast Iron Waste and Oil Drain



Charboiler Knobs



Cast Iron Waste and Oil Drain



Radiant Burner



Volcanic Stone



PRODUCT DESCRIPTION

- Stainless steel exterior and interior.
- Double wall sides with stainless steel cabinet.
- 35,000 BTU Burners per 12" section with standby pilots.
- Independent manual controls every 12".
- "Cool-to-the-touch" front s/s edge.
- Each Char Broiler shipped standard Natural gas, LP conversion kit included.
- Adjustable stainless steel legs, non-skid feet.
- Easy to remove full width crumb tray.



HIGH QUALITY STAINLESS STEEL & ROBUST DESIGN

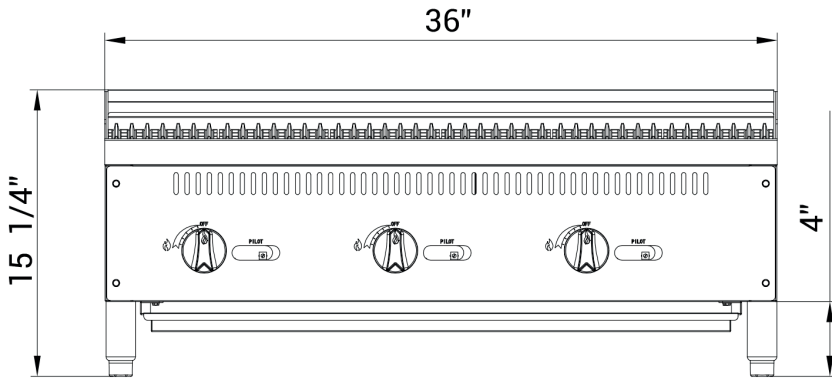
* All measures are presented in Inches

| CHARBROILER MODEL | DIMENSION | | |
|-------------------|-----------|-----------|-----------|
| | Width | Depth | Height |
| DCRB36 | 36 in | 28 3/4 in | 15 3/8 in |

DETAILS & SPECIFICATIONS

CHARBROILER DCRB36

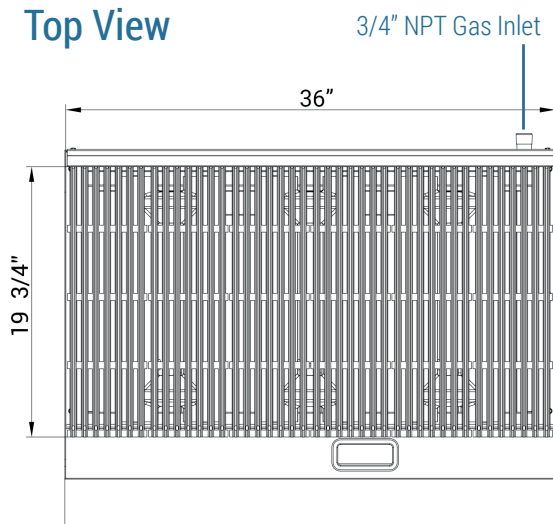
Front View



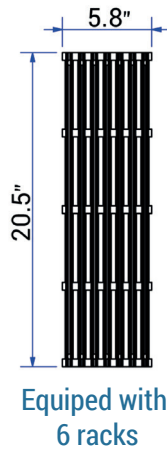
DCRB36

| | |
|-------------------|------------------------------|
| GAS SOURCE | NG/Propane |
| WORK AREA | 35.83x20.47in |
| BURNER | 3 count |
| SINGLE BURNER | 35000 BTU/H |
| COMBINED | 105000 BTU/H |
| GAS PRESSURE | NG: 4 "WC Propane: 10 "WC |
| NOZZEL | NG: 34# Propane: 49# |
| CONTAINER FITMENT | 140 |

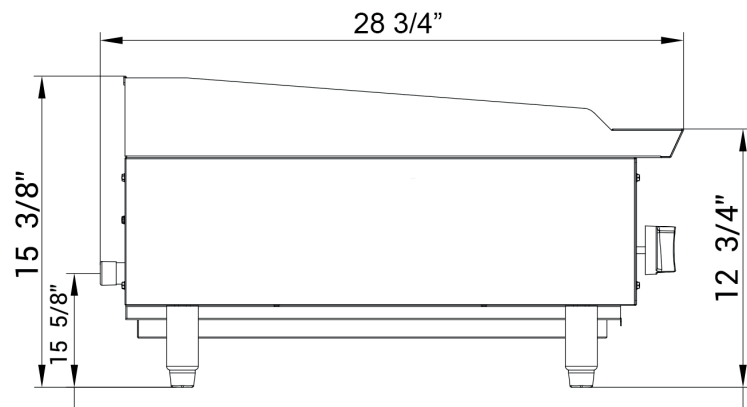
Top View



Racks



Side View



| Model | Packaging Dimensions (inches) | | | Net Weight (lbs) | Ship Weight (lbs) |
|--------|-------------------------------|---------|---------|------------------|-------------------|
| | W | D | H | | |
| DCRB36 | 38 1/4" | 32 5/8" | 20 1/2" | 215.2 | 283.5 |

