

Item # _____

Qty # _____

Model # _____

Project # _____



DUKERS

Quality Commercial Refrigeration



GAS RANGE

DCR60-6B24GM

60" Combination - 6 Burner & 24" Griddle Top



Knobs



Cooking Surface



PRODUCT DESCRIPTION

- ✦ Stainless steel exterior including front, back sides, kick plate, back guard and over shelf
- 🍳 Heavy duty 12" X 12" removable, cast iron top grates
- 🌡️ Oven temperature range between 175°F to 500°F
- 🔌 3/4" NPT rear gas connection and regulator standard.
- 🍽️ Two(2) chrome oven rack per oven standard, multiple position oven rack guides
- 🍳 Enamel interior oven for easy cleaning.
- 🛞 6" casters with lock for easy mobility.
- 📏 3/4" Steel Plate.



HIGH QUALITY STAINLESS STEEL & ROBUST DESIGN

GAS RANGE
MODEL

DIMENSION

Width Depth Height

DCR60-6B24GM

60 in

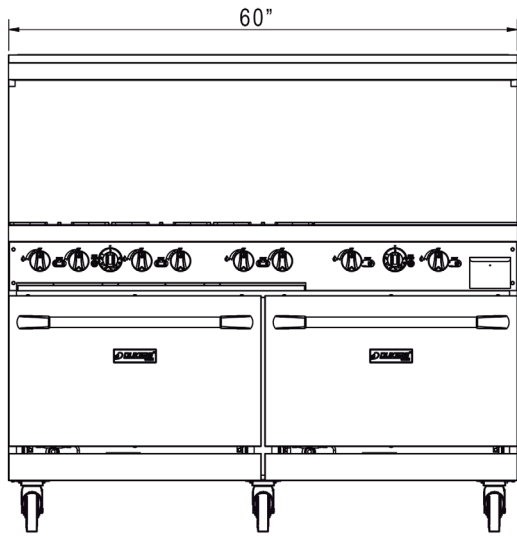
31 1/2 in

56 in

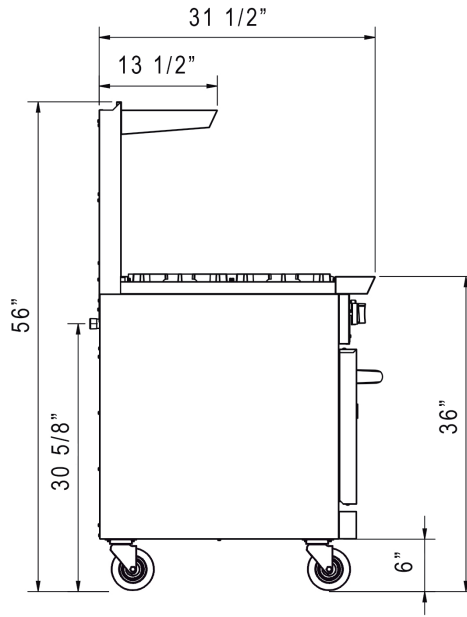
DETAILS & SPECIFICATIONS

DCR60-6B24GM

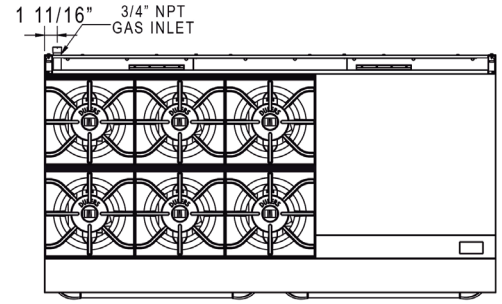
Front View



Side View



Top View





 SANITATION C US
 Conforms to NSF/ANSI7 (ETL)


 PROUD MEMBER
 Commercial Food Equipment Service Association

Product Specifications

WORKING AREA 36"x24" & 24"x20"

GAS TYPE LPG/NG

	LPG			NG		
	HOT PLATE	GRIDDLE	OVEN	HOT PLATE	GRIDDLE	OVEN
BURNERS	6	2	2	6	2	2
SINGLE OUTPUT BTU	30000 BTU	28000 BTU	35000 BTU	33000 BTU	28000 BTU	35000 BTU
NOZZLE #	52	53	49	41	43	38
TOTAL OUTPUT BTU	306000 BTU			324000 BTU		
GAS PRESSURE	10			5		

Model	Packaging Dimensions (inches)			Net Weight (lbs)	Ship Weight (lbs)	Container Capacity 40'HQ
	W	D	H			
DCR60-6B24GMGM	62"	36 4/5"	38 1/5"	626.12	744.92	44