

Item # _____

Qty # _____

Model # _____

Project # _____



DUKERS
Quality Commercial Refrigeration



GRIDDLE

DCGMA48



Oil Tray



PRODUCT DESCRIPTION

- ✦ Stainless steel exterior and interior.
- 🔥 30,000 BTU Burners per 12" section with standby pilots.
- 🕒 Independent manual controls every 12".
- 🍳 Heavy duty 1" thick polished steel griddle plate.
- 📏 Each griddle is shipped with Standard Natural Gas, LP conversion kit.
- 📏 Adjustable, stainless steel legs standard.
- 🧼 Full length seamless drip pan, easy to remove and clean.



HIGH QUALITY STAINLESS STEEL & ROBUST DESIGN

* All measures are presented in Inches

GRIDDLE MODEL

DCGMA48

DIMENSION

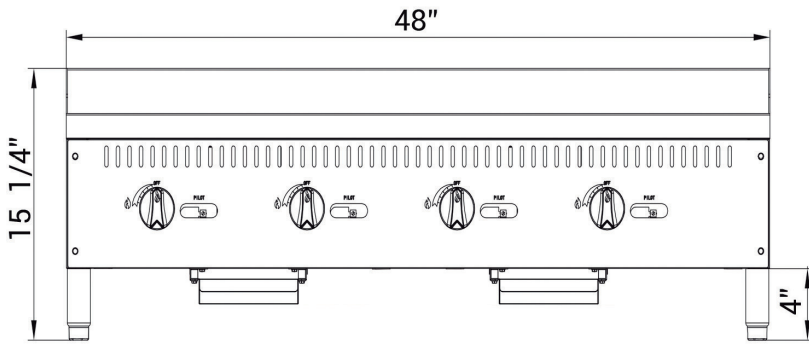
Width Depth Height

48 in 33 1/2 in 15 1/4 in

DETAILS & SPECIFICATIONS

GRIDDLE DCGMA48

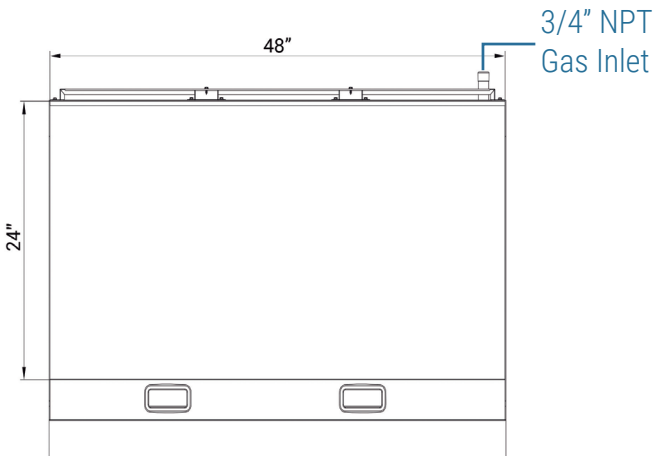
Front View



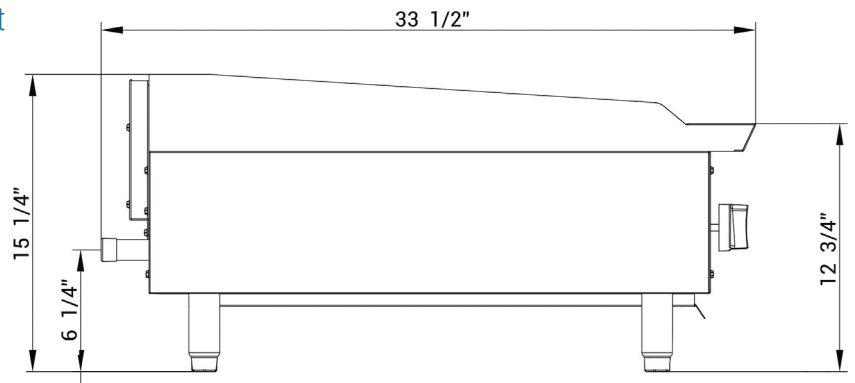
DCGMA48

GAS SOURCE	NG/Propane
WORK AREA	47.83x24.02in
BURNER	4 count
SINGLE BURNER	30000 BTU/H
COMBINED	120000 BTU/H
GAS PRESSURE	NG: 4 "WC Propane: 10 "WC
NOZZLE	NG: 37# Propane: 51#
CONTAINER FITMENT	110

Top View



Side View



Model	Packaging Dimensions (inches)			Net Weight (lbs)	Ship Weight (lbs)
	W	D	H		
DCGMA48	50 1/4"	36 1/4"	20 1/2"	515.88	555.57