



**DUKERS**  
Quality Commercial Refrigeration

Item # \_\_\_\_\_

Qty # \_\_\_\_\_

Model # \_\_\_\_\_

Project # \_\_\_\_\_



# GRIDDLE

## DCGMA36



Oil Tray



### PRODUCT DESCRIPTION

- Stainless steel exterior and interior.
- 30,000 BTU Burners per 12" section with standby pilots.
- Independent manual controls every 12".
- Heavy duty 1" thick polished steel griddle plate.
- Each griddle is shipped with Standard Natural Gas, LP conversion kit.
- Adjustable, stainless steel legs standard.
- Full length seamless drip pan, easy to remove and clean.



### HIGH QUALITY STAINLESS STEEL & ROBUST DESIGN

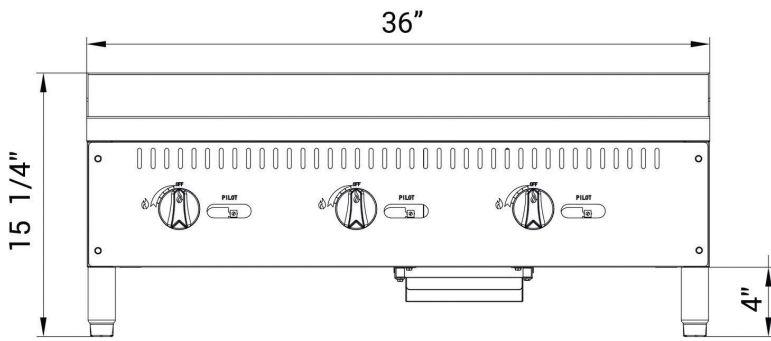
\* All measures are presented in Inches

GRIDDLE MODEL	DIMENSION		
	Width	Depth	Height
DCGMA36	36 in	33 1/2 in	15 1/4 in

# DETAILS & SPECIFICATIONS

## GRIDDLE DCGMA36

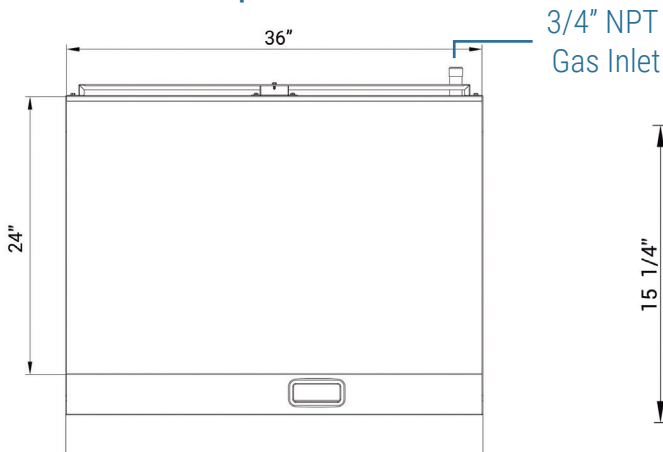
Front View



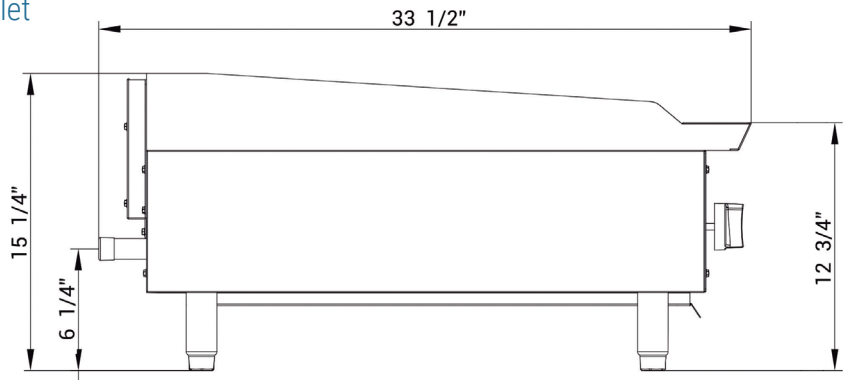
### DCGMA36

GAS SOURCE	NG/Propane
WORK AREA	35.83x24.02in
BURNER	3 count
SINGLE BURNER	30000 BTU/H
COMBINED	90000 BTU/H
GAS PRESSURE	NG: 4 "WC Propane: 10 "WC
NOZZLE	NG: 37# Propane: 51#
CONTAINER FITMENT	130

Top View



Side View



Model	Packaging Dimensions (inches)			Net Weight (lbs)	Ship Weight (lbs)
	W	D	H		
DCGMA36	38 1/4"	36 1/4"	20 1/2"	341.72	372.58