

Item # \_\_\_\_\_

Qty # \_\_\_\_\_

Model # \_\_\_\_\_

Project # \_\_\_\_\_



**DUKERS**  
Quality Commercial Refrigeration

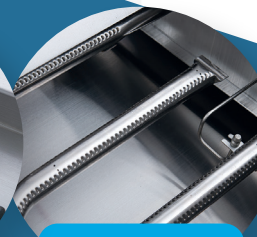


# RADIANT BROILER

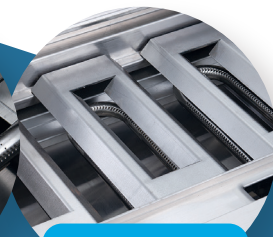
## DCCB48



Cast Iron Waste and Oil Drain



Radiant Burner



Radiant Burner Cover



Cast Iron Waste and Oil Drain

Charboiler Knobs



### PRODUCT DESCRIPTION

- Stainless steel exterior and interior.
- Double wall sides with stainless steel cabinet.
- 35,000 BTU Burners per 12" section with standby pilots.
- Independent manual controls every 12".
- "Cool-to-the-touch" front s/s edge.
- Each Char Broiler shipped standard Natural gas, LP conversion kit included.
- Adjustable stainless steel legs, non-skid feet.
- Easy to remove full width crumb tray.

### HIGH QUALITY STAINLESS STEEL & ROBUST DESIGN

\* All measures are presented in Inches

RADIANT BROILER  
MODEL

DCCB48

#### DIMENSION

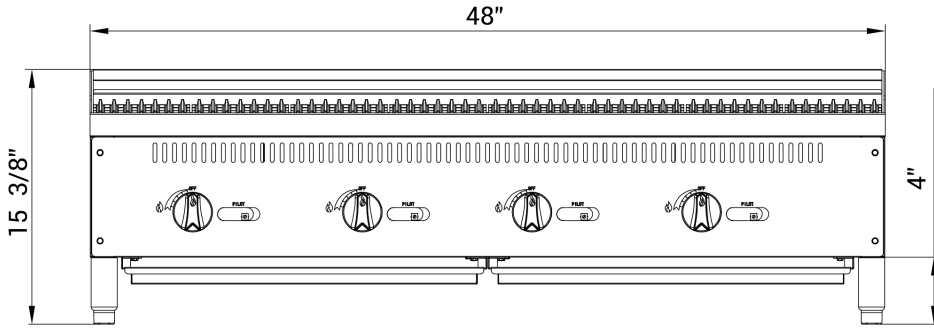
Width      Depth      Height

48 in      28 3/4 in      15 3/8 in

# DETAILS & SPECIFICATIONS

## RADIANT BROILER DCCB48

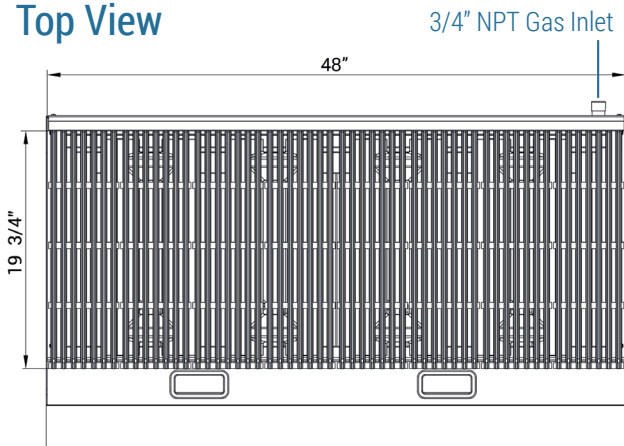
Front View



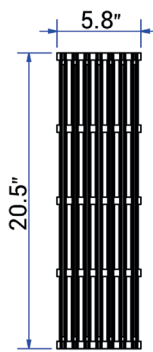
### DCCB48

GAS SOURCE	NG/Propane
WORK AREA	47.83x20.47in
BURNER	4 count
SINGLE BURNER	35000 BTU/H
COMBINED	140000 BTU/H
GAS PRESSURE	NG: 4 "WC Propane: 10 "WC
NOZZEL	NG: 34# Propane: 49#
CONTAINER FITMENT	115

Top View

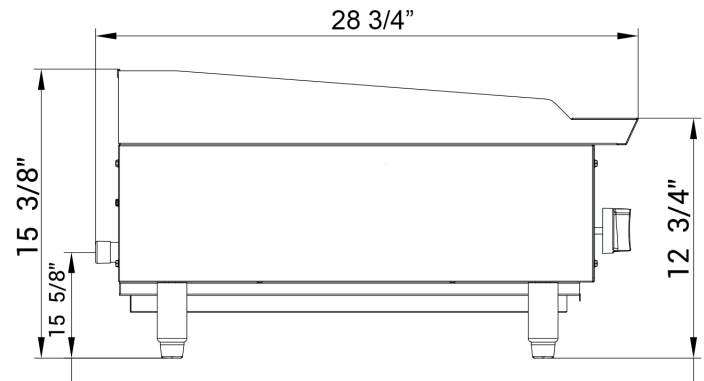


Racks



Equipped with  
8 racks

Side View



Model	Packaging Dimensions (inches)			Net Weight (lbs)	Ship Weight (lbs)
	W	D	H		
DCCB48	50 1/4"	32 5/8"	20 1/2"	229.28	268.96

