

Item # \_\_\_\_\_  
 Qty # \_\_\_\_\_  
 Model # \_\_\_\_\_  
 Project # \_\_\_\_\_



**DUKERS**  
 Quality Commercial Refrigeration

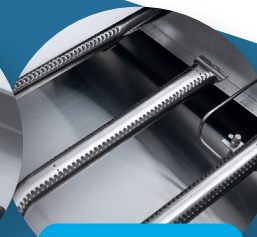


# RADIANT BROILER

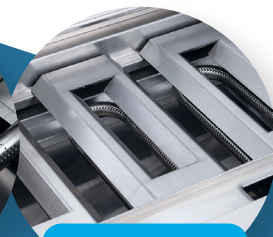
## DCCB36



Cast Iron Waste and Oil Drain



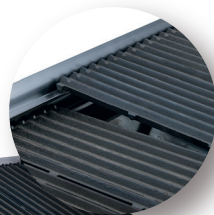
Radiant Burner



Radiant Burner Cover



Cast Iron Waste and Oil Drain



Charboiler Knobs



### PRODUCT DESCRIPTION

- + Stainless steel exterior and interior.
- + Double wall sides with stainless steel cabinet.
- 🔥 35,000 BTU Burners per 12" section with standby pilots.
- 🕒 Independent manual controls every 12".
- ❄️ "Cool-to-the-touch" front s/s edge.
- 🕒 Each Char Broiler shipped standard Natural gas, LP conversion kit included.
- 📏 Adjustable stainless steel legs, non-skid feet.
- 🌀 Easy to remove full width crumb tray.



### HIGH QUALITY STAINLESS STEEL & ROBUST DESIGN

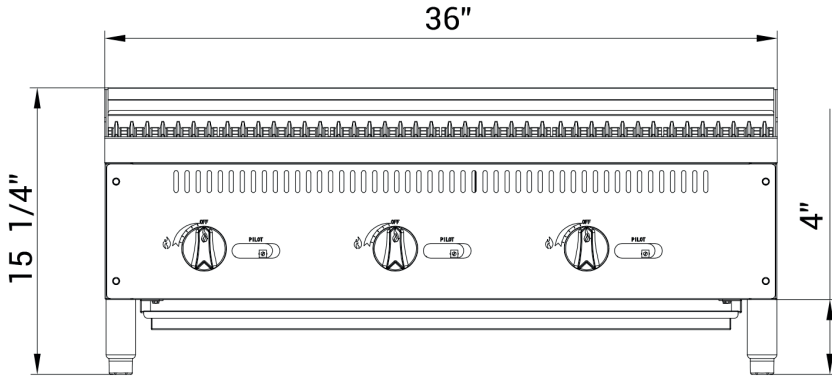
\* All measures are presented in Inches

RADIANT BROILER MODEL	DIMENSION		
	Width	Depth	Height
DCCB36	36 in	28 3/4 in	15 3/8 in

# DETAILS & SPECIFICATIONS

## RADIANT BROILER DCCB36

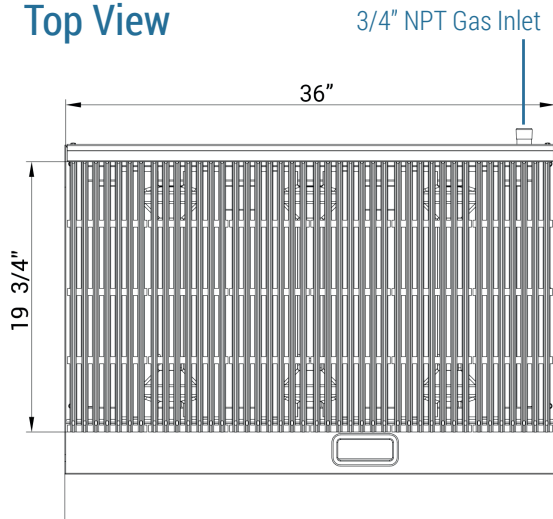
Front View



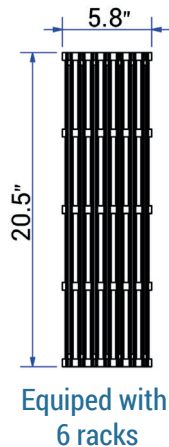
### DCCB36

GAS SOURCE	NG/Propane
WORK AREA	35.83x20.47in
BURNER	3 count
SINGLE BURNER	35000 BTU/H
COMBINED	105000 BTU/H
GAS PRESSURE	NG: 4 "WC Propane: 10 "WC
NOZZEL	NG: 34# Propane: 49#
CONTAINER FITMENT	140

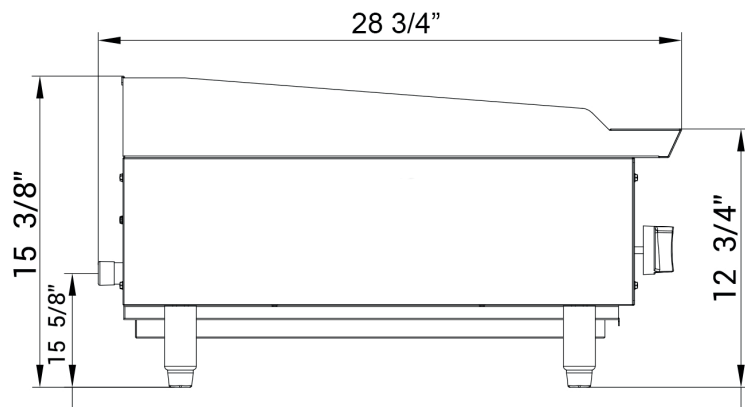
Top View



Racks



Side View



Model	Packaging Dimensions (inches)			Net Weight (lbs)	Ship Weight (lbs)
	W	D	H		
DCCB36	38 1/4"	32 5/8"	20 1/2"	180.78	211.64

