



**DUKERS**  
Quality Commercial Refrigeration



## REACH IN FREEZER

D83AF

Top Mounted / 3-Solid Door



### **i** TECHNICAL SPECIFICATIONS

Voltage/Frequency	115V/60Hz
Refrigerant	R290
Type of Defrost	Automatic
Interior Material	Stainless Steel
Exterior Material	Stainless Steel
Temperature Range °F	0 ~ -8°F
Compressor Power (HP)	3/4+3/4
Nema Config.	NEMA5-20P



### PRODUCT FEATURES

-  The compressor is mounted in the top and placed in the coolest possible area; this makes it easily accessible for servicing.
-  Digital temperature controls with LED display for precise adjustment and automatic defrosting system.
-  Temperatures in the cabinet range from 0 to -8 degrees Fahrenheit
-  Self closing doors with stay open feature.
-  R290 Natural Refrigerant promotes faster cool down and efficient energy consumption.
-  Epoxy coated wire shelves.
-  Stainless steel interior & exterior, sealed interior floors, and rounded cabinet corners for easy cleaning.
-  High quality coated stainless adjustable shelves prevent peel and rust.
-  Lifetime warranty on hinges.
-  Adjustable front locking casters.

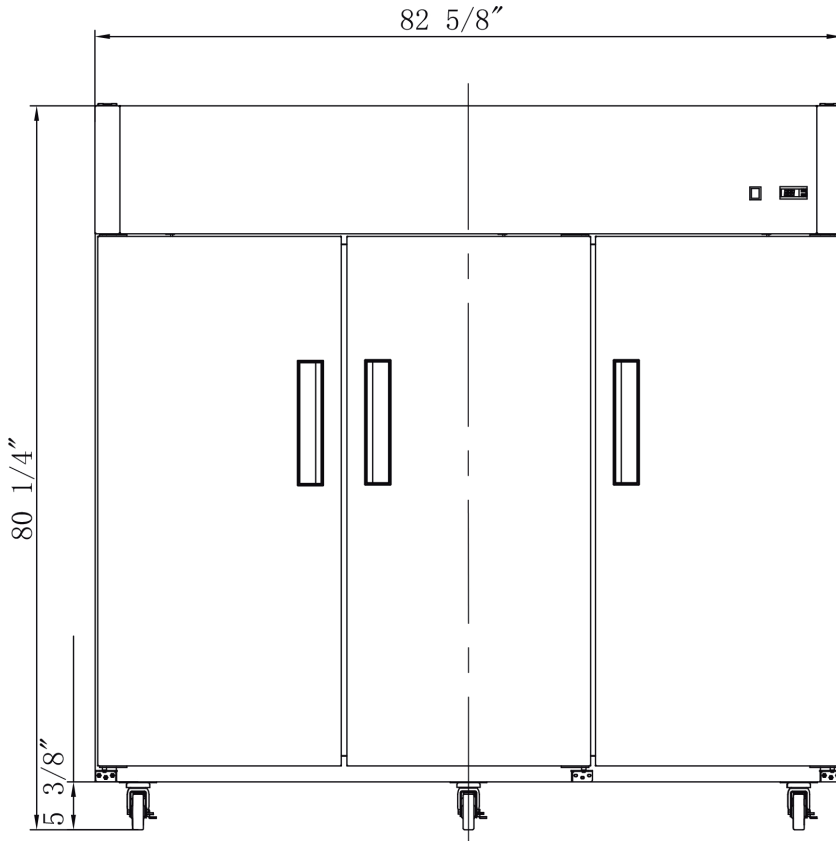


**HIGH QUALITY  
STAINLESS STEEL &  
ROBUST DESIGN**

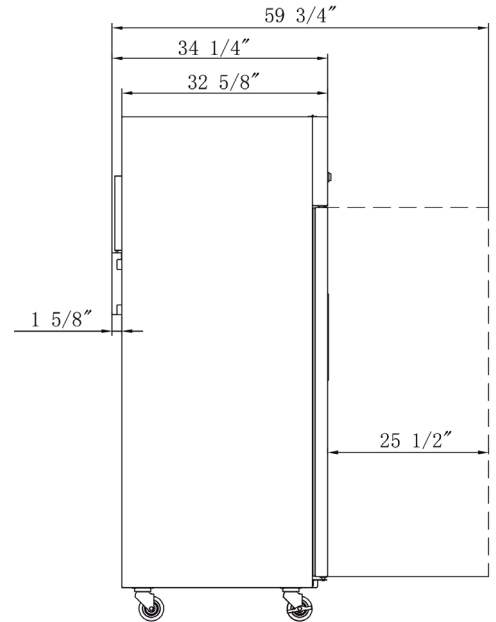
# DETAILS & SPECIFICATIONS

## D83AF

Front View



Side View



### MODEL D83AF

Rated Voltage	115V
Rated Frequency	60Hz
Total Input Power	1300W
Total Current	16A
Total Capacity	65.98cu ft
Climatic Category	4-5
Protection Type	I
Design Pressure High Side	300 PSIG
Design Pressure Low Side	150 PSIG
Insulation Blowing Gas	C-Pentane
Refrigerant	R290/4.2+4.2 oz

MODEL	EXTERNAL DIMENSION WXDXH (INCHES)	PACKAGING DIMENSION WXDXH (INCHES)	PRODUCT NET WEIGHT	# OF SHELVES	40HQ CONTAINER CERT.
D83AF	82 5/8 x 34 1/4 x 80 1/4	84 5/8 x 35 1/4 x 82 1/4	595 lbs	12	13

