



DUKERS
Quality Commercial Refrigeration



REACH IN FREEZER

D55AF

Top Mounted / 2-Solid Door



i TECHNICAL SPECIFICATIONS

Voltage/Frequency	115V/60Hz
Refrigerant	R290
Type of Defrost	Automatic
Interior Material	Stainless Steel
Exterior Material	Stainless Steel
Temperature Range °F	0 ~ -8°F
Compressor Power (HP)	1-
Nema Config.	NEMA5-15P



PRODUCT FEATURES

- The compressor is mounted in the top and placed in the coolest possible area; this makes it easily accessible for servicing.
- Digital temperature controls with LED display for precise adjustment and automatic defrosting system.
- Temperatures in the cabinet range from 0 to -8 degrees Fahrenheit
- Self closing doors with stay open feature.
- R290 Natural Refrigerant promotes faster cool down and efficient energy consumption.
- Epoxy coated wire shelves.
- Stainless steel interior & exterior, sealed interior floors, and rounded cabinet corners for easy cleaning.
- High quality coated stainless adjustable shelves prevent peel and rust.
- Lifetime warranty on hinges.
- Adjustable front locking casters.

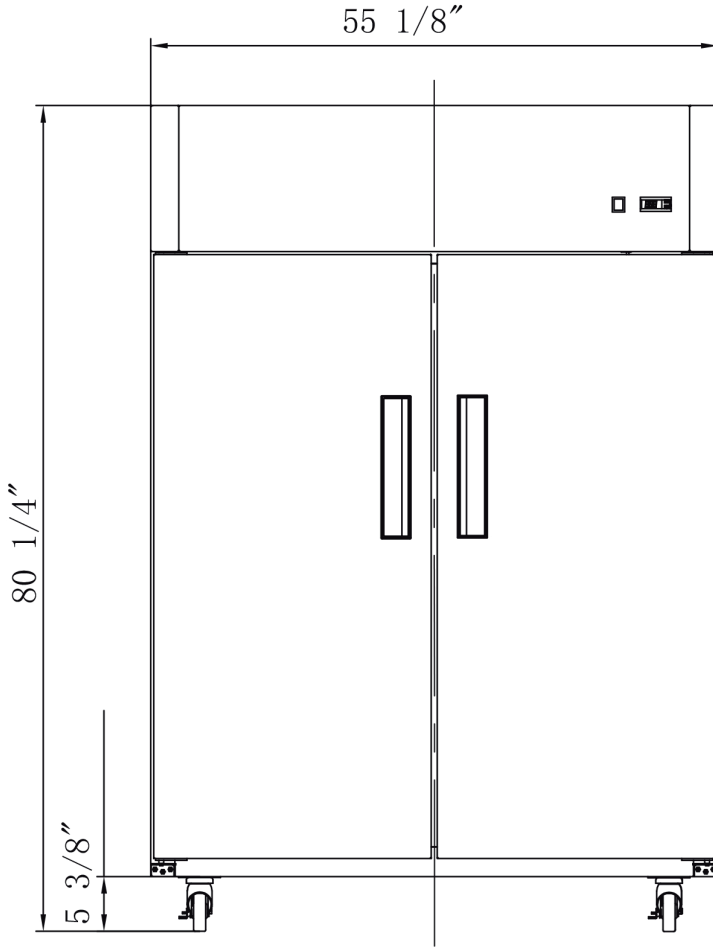


**HIGH QUALITY
STAINLESS STEEL &
ROBUST DESIGN**

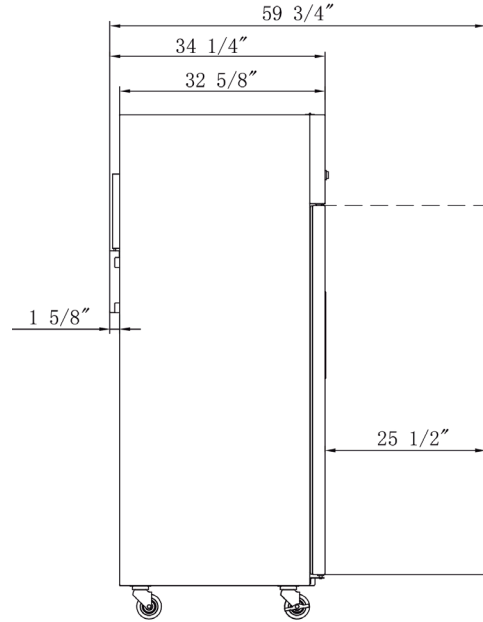
DETAILS & SPECIFICATIONS

D55AF

Front View



Side View



MODEL D55AF

Rated Voltage	115V
Rated Frequency	60Hz
Total Input Power	1250W
Total Current	11.8 A
Total Capacity	41.73 cu ft
Climatic Category	4-5
Protection Type	I
Design Pressure High Side	300 PSIG
Design Pressure Low Side	150 PSIG
Insulation Blowing Gas	C-Pentane
Refrigerant	R290/5.11 oz

MODEL	EXTERNAL DIMENSION WXDXH (INCHES)	PACKAGING DIMENSION WXDXH (INCHES)	PRODUCT NET WEIGHT	# OF SHELVES	40HQ CONTAINER CERT.
D55AF	55 1/8 x 34 1/4 x 80 1/4	57 1/8 x 35 1/4 x 82 1/4	463 lbs	8	16

